

# THE WORLD'S SMALLEST

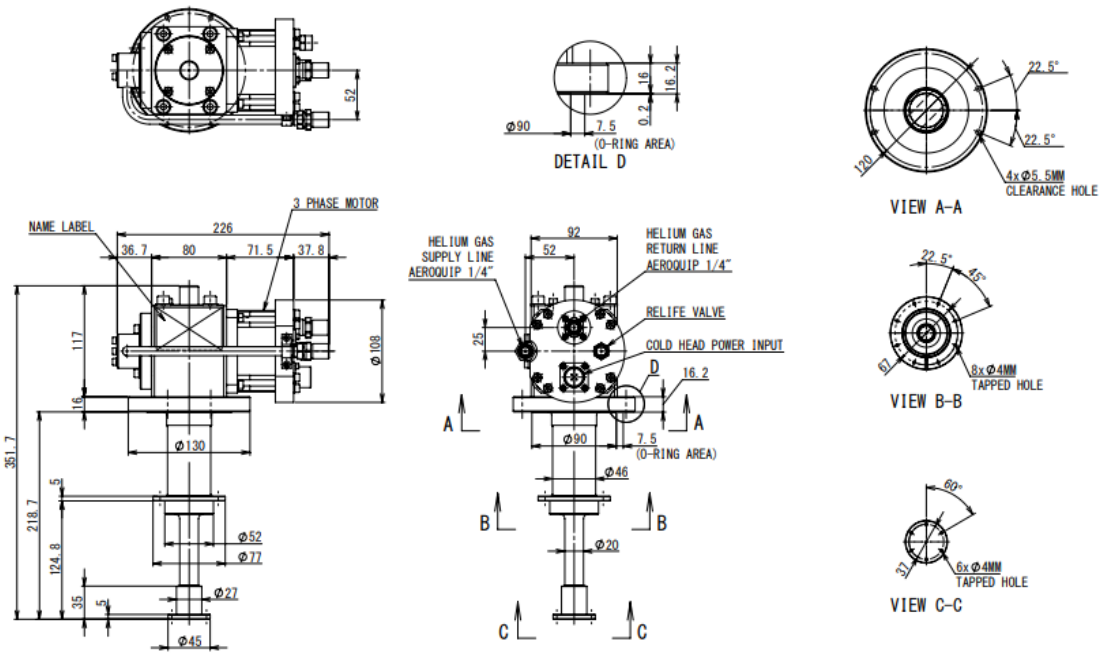
## 2 Kelvin GM CRYOCOOLER

### RDC-02K | 0.02W @ 2.3K

- LOW VIBRATION (3Phase Motor)
- COMPRESSOR (1Phase 100, 120, 220, 230, 240V)
- BASE TEMPERATURE <2.2K
- SIMPLE MAINTENANCE PROCEDURES



Sumitomo Heavy Industries, Ltd.



Model		RDC-02K
Cooling capacity	1st	1W @60K (50Hz) 3W @60K (60Hz)
	2nd	0.02W @2.3K (0.2W@4.2K) ※Reference
Base temperature	1st	—
	2nd	< 2.2K
Length	Cylinder	218.7mm
	Housing	132mm
Maintenance interval		10,000 hr

Model	CNA-11	
	B	C
Electrical Supply	1 Phase 100V, 50/60Hz	1 Phase 100,120,220 230,240V 50/60Hz
Power Consumption	1.2-1.3 kW at 50Hz 1.3-1.5 kW at 60Hz	
Dimensions (without Drive unit)	400x383x450mm (without drive unit)	610x383x450mm (without drive unit)
Weight	42 kg	75 kg
Maintenance Interval	30,000 hr	